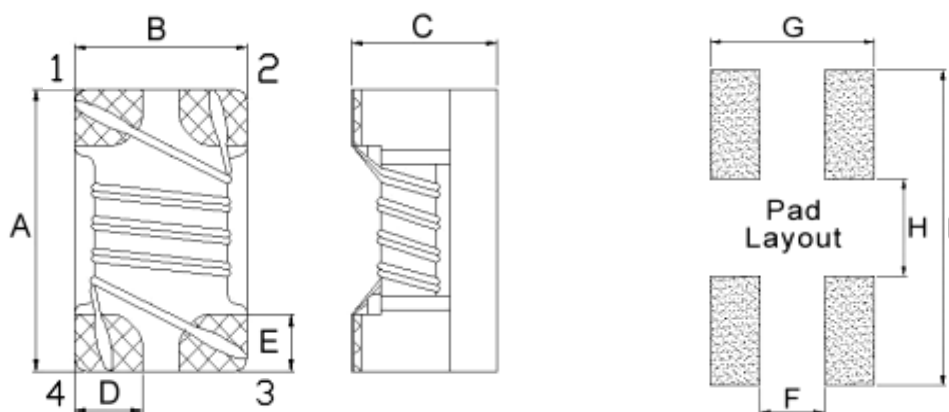
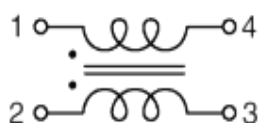


## ●尺寸图/DIMENSION (单位/UNIT : mm)



\$ " % " & " ' : 7 S ( : 7 S  
 ) : 7 S \* : 7 S + : 7 S , : 7 S

## ●电路图/SCHEMATIC



## ●注意事项/NOTE :

- 1.产品不印字
- 2.崩缺面积直径小于0.3mm为允收

## ●电气特性/ELECTRICAL CHARACTERISTIC

Part Number	Common mode Impedance (Ω @100MHz)	DC Resistance (Ω) Max.	Rated Current (mA)Max.	Rated Volt. (Vdc)Max.	IR (Ω) min.
GCM-3225SF-900	90 ±25%	0.10	1000	50	10M
GCM-3225SF-601	600 ±25%	0.20	1000	50	10M
GCM-3225SF-102	1000 ±25%	0.30	400	50	10M

- (1).Rated Current: Temp.rise 40°C Typ
- (2).Operating Temperature: -40°C up to +125°C
- (3).Storage Temperature: -20°C up to +40°C, 75% RH max.

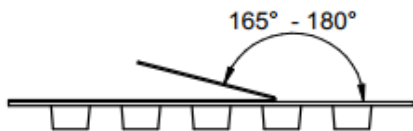
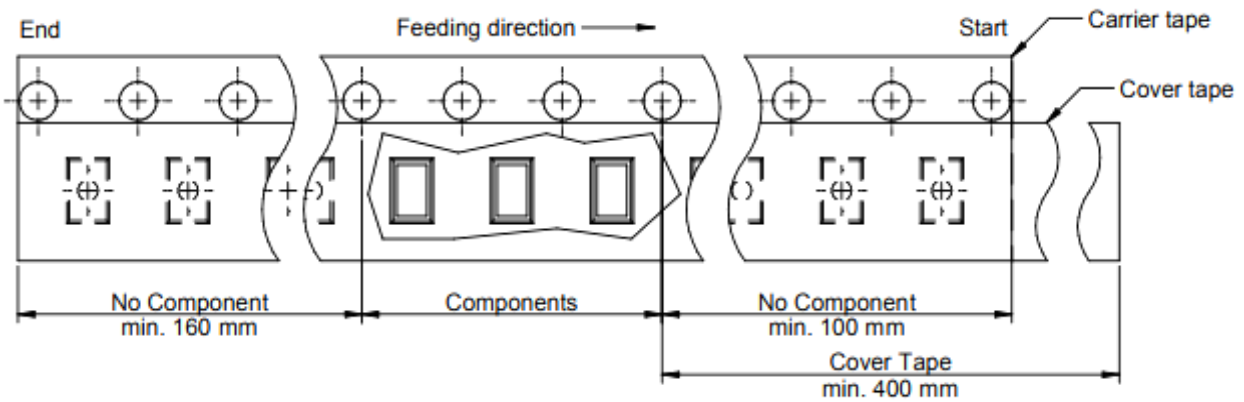




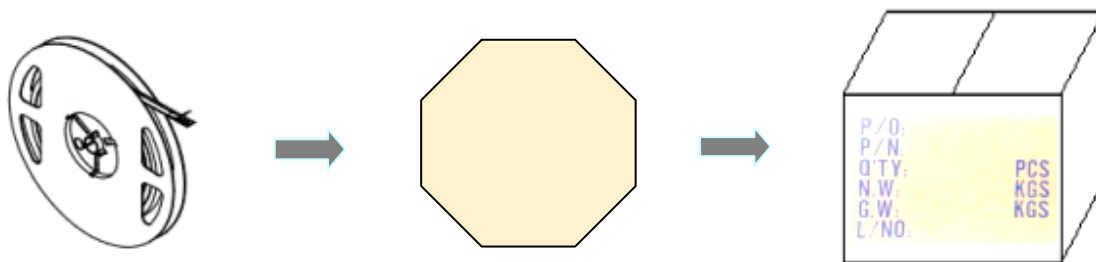
●材料清单/MATERIAL LIST

NO.	ITEM	DESCRIPTION
1	CORE	FERRITE
2	WIRE	P180 G1
3	ADHESIVE	5890LC
4	TIN	107H

●包装规格/PACKING SPECIFICATIONS



Tape width	Distance	Pull-of force
8 mm	4 mm	10~120g



轮盘：7'(直径178mm)  
数量：2000PCS/盘

内盒/PE袋  
数量：8000PCS/盒

外箱，数量：80000PCS/箱  
不足整箱用内盒或填充物装满